

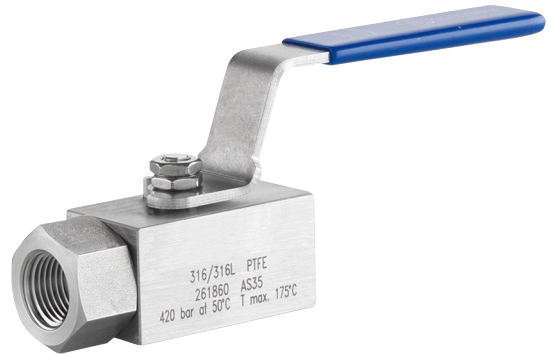
## High Pressure Ball Valve - V02 Series

### FEATURES

- Floating ball design provides bi-directional isolation
- PTFE Packing (other materials available upon request)
- Anti-blowout stem design
- Supplied with wetted parts according to NACE MR0175/MR0103

### TYPICAL USES

- Oil & Gas Industry
  - Upstream: Onshore/offshore production
  - Midstream: Transport, storage and natural gas compression
  - Downstream: Refineries and petrochemical industries
- Chemical Industry
- Power Plants
  - Conventional power plants
  - Nuclear power plants
  - Flue gas desulfurization plants
- Other Industries
  - Waste incineration plants
  - Seawater desalination plants
  - Steel mills
  - Cement plants



- 316 stainless steel construction
- 90° turn opens or closes valve quickly
- 10mm bore hole

### SPECIFICATIONS

Process Conn:	½ NPTM or ½ NPTF
Instrument Conn:	½ NPTF
Construction:	316 Stainless Steel
Max Pressure	
Rating (PTFE):	6092 psi
Max Temperature	
Rating (PTFE):	347°F (175°C)

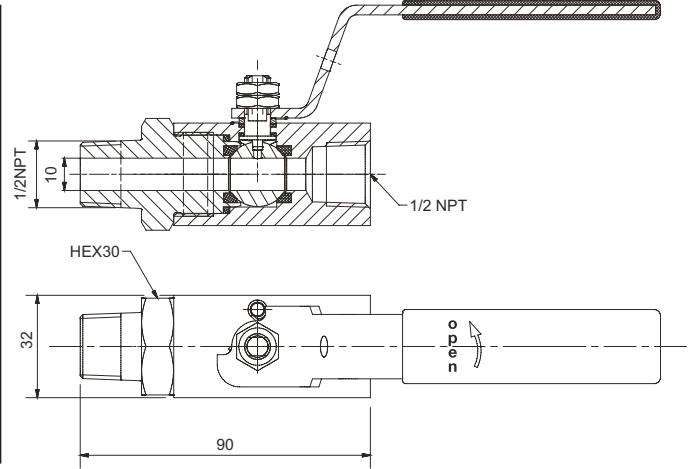
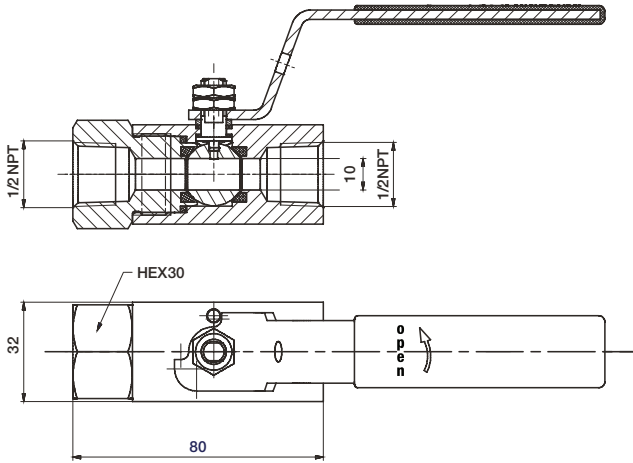
### COMPONENTS

### MATERIAL

COMPONENTS	MATERIAL
<b>Wetted</b>	
Body	316/316L
Body end connector	316/316L
Ball	316/316L
Stem	316/316L
Ball seat	PTFE
Body seals	PTFE
Stem seals	PTFE
<b>Non-Wetted</b>	
Gland	316
Hex nut	316
Handle	316
Handle grip	Vinyl
Stop pin	A4
Antistatic spring	316

# High Pressure Ball Valve - V02 Series

## DIMENSIONS



## ORDERING CODE

Example: 50 V02 BV A SS 50 XC3

**Process Connection**

04-1/2 NPT Male

50-1/2 NPT Female

50

**Series Code**

V02-Valve

V02

**Valves**

BV-Ball Valve

BV

**Version**

A-Style A

A

**Material**

SS-316SS

SS

**Instrument Connection**

50-1/2 NPT Female

50

**Options**

C3-Material Traceability Report Per EN 10204 3.1

XC3

HY-Hydrostatic Testing

6B-Cleaned for Oxygen Service

NH-Stainless Steel Tags