

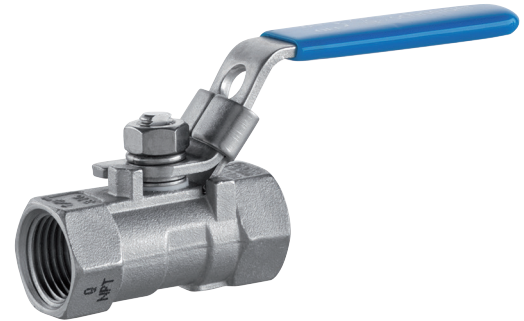
Low Pressure Ball Valve - V02 Series

FEATURES

- Floating ball design provides bi-directional isolation
- PTFE Packing (other materials available upon request)
- Anti-blowout stem design
- Supplied with wetted parts according to NACE MR0175/MR0103

TYPICAL USES

- Oil & Gas Industry
 - Upstream: Onshore/offshore production
 - Midstream: Transport, storage and natural gas compression
 - Downstream: Refineries and petrochemical industries
- Chemical Industry
- Power Plants
 - Conventional power plants
 - Nuclear power plants
 - Flue gas desulfurization plants
- Other Industries
 - Waste incineration plants
 - Seawater desalination plants
 - Steel mills
 - Cement plants



- 316 stainless steel construction
- 90° turn opens or closes valve quickly
- 9.2mm bore hole

SPECIFICATIONS

Process Conn:	1/2 NPTF
Instrument Conn:	1/2 NPTF
Construction:	316 Stainless Steel
Max Pressure	
Rating (PTFE):	1000 psi
Max Temperature	
Rating (PTFE):	392°F (200°C)

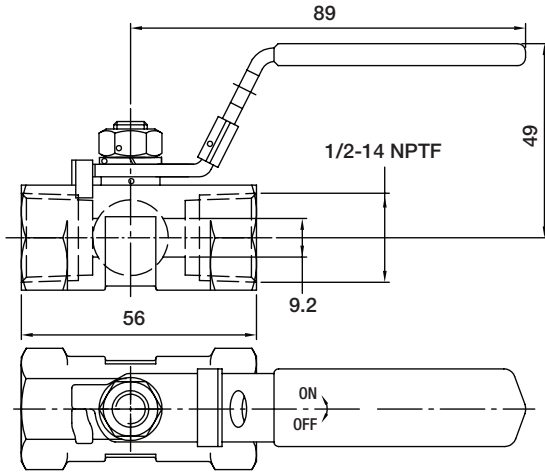
COMPONENTS

MATERIAL

COMPONENTS	MATERIAL
Wetted	
Body	316L
Cap	316L
Ball	316L
Stem	316
Ball seat	PTFE
Thrust washer	PTFE
Packing	PTFE
Non-Wetted	
Washer	304
Spring washer	304
Hex nut	304
Handle	304
Handle grip	Vinyl
Locking plate	304

Low Pressure Ball Valve - V02 Series

DIMENSIONS



ORDERING CODE

Example:	50	V02	BV	B	SS	50	HY
Process Connection							
50-½ NPT Female	50						
Series Code							
V02-Valve		V02					
Valves							
BV-Ball Valve			BV				
Version							
B-Style B				B			
Material							
SS-316SS					SS		
Instrument Connection							
50-½ NPT Female						50	
Options							
HY-Hydrostatic Testing							HY
6B-Cleaned for Oxygen Service							
NH-Stainless Steel Tags							