

Data Sheet

1008S 63 mm & 100 mm Stainless Steel Pressure Gauge

FEATURES

- PowerFlex™ movement provides superior resistance to shock, vibration and pulsation
- **PLUS!**™ Performance patented dampening technology provides liquid fill performance in a dry gauge
- All welded stainless steel construction
- Ventable fill plug
- MSL Helium leak tested to 1×10^{-6} scc/s
- Ammonia and refrigerant versions available
- NSF-61 Compliant

TYPICAL USES

- Pumps and compressors
- Hydraulics and pneumatic
- Specialized OEM equipment
- Food and beverage
- Ammonia and refrigeration



1008S/SL
63, 100 mm dial size

SPECIFICATIONS

Accuracy:	Dry: $\pm 1.6\%$ of span Liquid: $\pm 2\%$ of span
Size:	63, 100 mm
Ranges:	Vacuum, compound to 15,000 psi
Process Connection Location:	Lower, Lower Back, Top, 3 o'clock, 9 o'clock
Process Connection Size:	$\frac{1}{8}$ NPT Male, $\frac{1}{4}$ NPT Male
Movement:	304 Stainless steel
Window Material:	Polycarbonate
Dial:	Black figures on white background, aluminum
Pointer:	Black, aluminum
Weather Protection:	IP65 (Plug closed), IP54 (Plug vented) NEMA 4X (Plug closed)
Dampening:	Liquid fill and PLUS! ™ Performance
Mounting:	U-clamp, Back Flange and Front Flange
Approvals:	CRN, RoHS, PED, CE/UKCA, NSF-61

WETTED COMPONENTS

Bourdon Tube	Process Connection Material
316 SS	316 Stainless steel

NON-WETTED COMPONENTS

Case	Ring
304 SS	304 Stainless steel crimped



Certified to
NSF/ANSI/CAN 61



KEY BENEFITS

- Accessory kits for easy panel mounting
- True Zero™ reduces reading errors “zero box” instead of conventional dial pins

MIN/MAX TEMPERATURE LIMITS

Version	Ambient	Process	Storage
Dry	-40 °F to 200 °F (-40 °C to 93 °C)	-40 °F to 250 °F (-40 °C to 121 °C)	-40 °F to 250 °F (-40 °C to 121 °C)
PLUS! ™	-40 °F to 150 °F (-40 °C to 66 °C)	-40 °F to 200 °F (-40 °C to 93 °C)	-40 °F to 150 °F (-40 °C to 66 °C)
Glycerin Fill	20 °F to 150 °F (-7 °C to 66 °C)	20 °F to 200 °F (-7 °C to 66 °C)	0 °F to 150 °F (-18 °C to 66 °C)
Silicone Fill	-40 °F to 150 °F (-40 °C to 66 °C)	-40 °F to 200 °F (-40 °C to 93 °C)	-40 °F to 150 °F (-40 °C to 66 °C)
Halocarbon® Fill	-40 °F to 150 °F (-40 °C to 66 °C)	-40 °F to 200 °F (-40 °C to 93 °C)	-40 °F to 150 °F (-40 °C to 66 °C)

Data Sheet

1008S 63 mm & 100 mm Stainless Steel Pressure Gauge

ORDERING CODE	Example:	63	S	L	02	L	XC4	100#
Dial Size/Model Code								
631008 - 63 mm (2½") 304 Stainless steel case		63						
101008 - 100 mm (4") 304 Stainless steel case								
System								
S - 316 Stainless steel tube/316 stainless steel process connection			S					
Case Fill								
Blank - Dry liquid fillable								
L - Liquid filled case (glycerin standard)				L				
Process Connection Size								
01 - ⅛ NPT Male								
02 - ¼ NPT Male					02			
04 - ½ NPT Male								
RW - SAE 4 7/16" - 20 straight thread with washer and O-ring								
KJ - ¼" Straight JIS, BSP								
KA - ¼" Tapered JIS, BSP								
13 - G ¼" DIN								
JP - ¼" Tubing								
JQ - 6mm Tubing (N/A with throttle plug, N/A ranges above 6000 psi)								
JR - 3/8" Tubing (N/A with throttle plug, N/A on ranges above 6000 psi)								
Process Connection Location								
L - Lower						L		
B - Lower back								
D - Side (3 o'clock)								
E - Side (9 o'clock)								
T - Top								
Options (If choosing an option(s) must include an "X")								
LL - PLUS! ™ Performance								X__
NZ - PLUS! ™ Performance silicone free								
GV - Silicone case fill (add to glycerine filled case)								
GX - Halocarbon® case fill (add to glycerine filled case)								
TU - Throttle plug 0.013" orifice (STD. on all liquid filled and XLL gauges 30 psi to 1000 psi)								
TS - Throttle screw (STD. with liquid filled and XLL gauges 1500 psi and above)								
6B - Cleaned for oxygen service (for liquid filled Halocarbon® XGX required; N/A on ranges greater than 10,000 psi)								
NH - Stainless steel tag wired to case								
FF - Front flange								
UC - U-clamp								
FW - Back flange mounting								
C3 - Material certification, call factory for availability								
C4 - Traceable calibration certificate							C4	
SM - All stainless steel movement								
YW - 316L Stainless steel case and ring								
Ranges (See range table on page 3 for all standard ranges)								
Single Scale								
100# - 100 psi								100#

Data Sheet

1008S 63 mm & 100 mm Stainless Steel Pressure Gauge

SINGLE SCALE					NOTES
	psi	bar	kPa	Mpa	kg/cm2
Vacuum	30IMV	N1BR	N100KP	NO.1MP	N1KG
	-	N1/0.6BR	N100/60KP	NO.1/0.6MP	N1/0.6KG
	30IMV&15#	-	-	-	-
Compound	-	N1/1.5BR	N100/150KP	NO.1/15MP	N1/1.5KG
	30IMV&30#	-	-	-	-
	-	N1/3BR	N100/300KP	NO.1/3MP	N1/3KG
	30IMV&60#	-	-	-	-
	-	N1/5BR	N100/&500KP	NO.1/5MP	N1/5KG
	-	-	-	-	-
	30IMV&100#	-	-	-	-
	-	N1/9BR	N100/900KP	NO.1/9MP	N1/9KG
	15#	1BR	100KP	0.1MP	1KG
	-	1.6BR	160KP	0.16MP	1.6KG
Positive Pressure	30#	-	-	-	-
	-	2.5BR	250KP	0.25MP	2.5KG
	60#	4BR	400KP	0.4MP	4KG
	-	6BR	600KP	0.6MP	6KG
	100#	-	-	-	-
	-	10BR	1000KP	1MP	10KG
	160#	-	-	-	-
	200#	-	-	-	-
	-	16BR	1600KP	1.6MP	16KG
	300#	-	-	-	-
	-	25BR	2500KP	2.5MP	25KG
	400#	-	-	-	-
	600#	40BR	4000KP	4MP	40KG
	800#	-	-	-	-
	-	60BR	6000KP	6MP	60KG
	1000#	-	-	-	-
	1500#	100BR	10,000KP	10MP	100KG
	2000#	-	-	-	-
	-	160BR	16,000KP	16MP	160KG
	3000#	-	-	-	-
-	250BR	25,000KP	25MP	250KG	
4000#	-	-	-	-	
5000#	-	-	-	-	
6000#	400BR	40,000KP	40MP	400KG	
-	600BR	60,000KP	60MP	600KG	
8000#	-	-	-	-	
10,000#	-	-	-	-	
15,000#	1000BR	100,000KP	100MP	1,000KG	

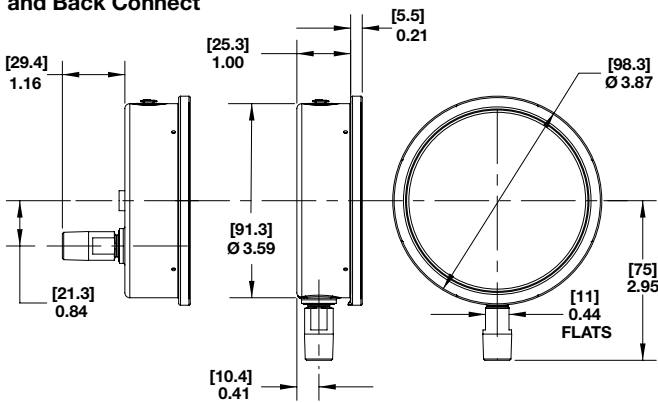
Data Sheet

1008S 63 mm & 100 mm Stainless Steel Pressure Gauge

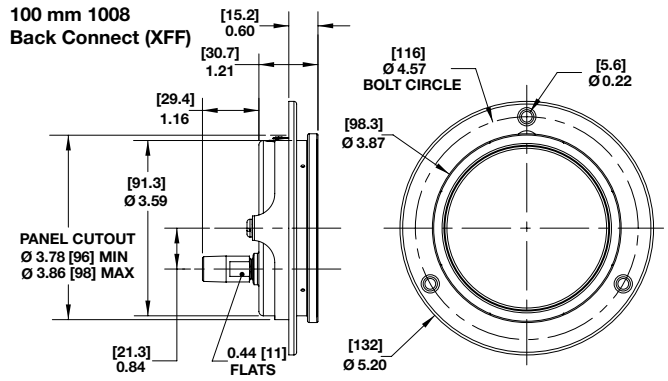
DIMENSIONS in [] are millimeters

For reference only, consult Ashcroft for specific dimensional drawings

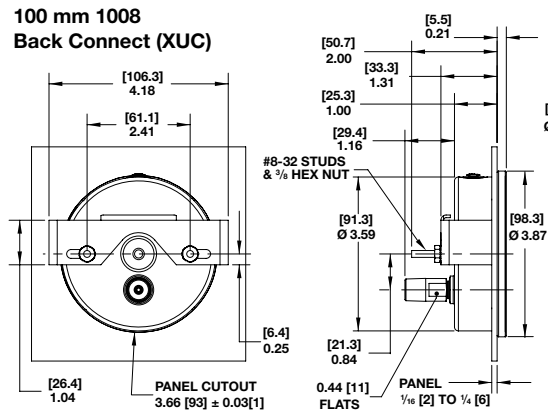
100 mm 1008 Lower and Back Connect



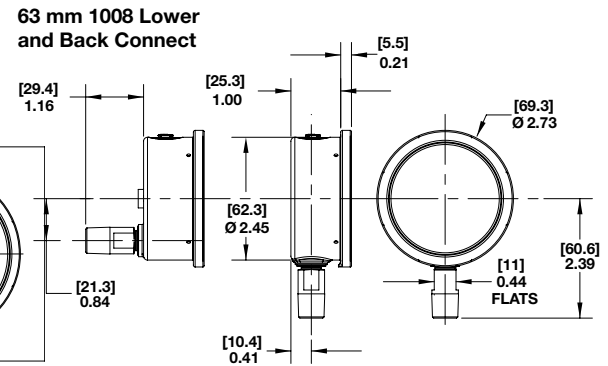
100 mm 1008 Back Connect (XFF)



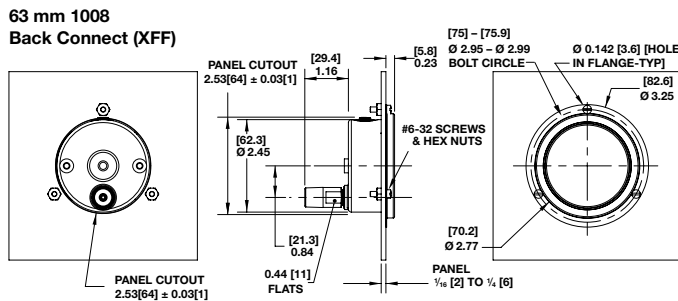
100 mm 1008 Back Connect (XUC)



63 mm 1008 Lower and Back Connect



63 mm 1008 Back Connect (XFF)



63 mm 1008 Back Connect (XUC)

