

Data Sheet

1010 Pressure Gauge

FEATURES

- Solid-front case design for safety
- Wide selection of Bourdon tube materials and pressure ranges
- **PLUS!**™ Performance option to dampen vibration, shock and pulsation effects to provide a liquid-fill performance in a dry gauge

TYPICAL USES

- Deionized water
- Refrigeration
- Hydraulics and pneumatics
- Specialized OEM equipment



1010
4½" Gauge Shown
6", 8½", 12" available



SPECIFICATIONS

Accuracy:	±1% of span (ASME B40.100 Grade 1A)
Size:	4½", 6", 8½", 12"
Ranges:	Vacuum, compound to 30,000 psi
Process Connection Location:	Lower or back
Process Connection Size:	¼ NPT, ½ NPT
Case Style:	Solid front with pressure relief back
Movement:	400 SS, Teflon™ coated pinion gear and segment
Window Material:	Glass
Dial:	Aluminum, white background, black figures and intervals
Case Material:	Black epoxy coated aluminum
Pointer:	Micrometer adjustable, aluminum
Weather Protection:	Dry case, case not sealed, recommended for weather protected environment only
Dampening:	PLUS! ™ Performance and throttle plugs
Mounting:	Stem, surface, flush
Approvals:	CRN, CE

KEY BENEFITS

- Superior corrosion resistance
- Provide quality, durability, and performance

WETTED COMPONENTS

Bourdon Tube	Process Connection Material
Phosphor bronze tube	Brass brazed
316L SS	316L SS
K Monel®	K Monel®

NON-WETTED COMPONENTS

Case	Back Cover	Ring
Aluminum	4½", 6": Polycarbonate 8½": 300 SS 12": Aluminum	4½", 6": Polypropylene 8½": Steel, hinged, black enamel 12": Slip fit, steel, black enamel

MIN/MAX TEMPERATURE LIMITS

Version	Ambient	Process	Storage
Dry	-20 °F to 200 °F (-29 °C to 93 °C)	-20 °F to 250 °F (-29 °C to 121 °C)	-40 °F to 250 °F (-40 °C to 121 °C)

Data Sheet

1010 Pressure Gauge

ORDERING CODE	Example:	451010	S	02	B	XC4	100#
Dial Size/Model Code							
451010 - 4½" aluminum case, solid front		451010					
601010 - 6" aluminum case, solid front							
851010 - 8½" aluminum case, solid front							
121010 - 12" aluminum case, solid front							
System							
A - Phosphor bronze tube, brass process connection (1,000 psi Max.) (not available for 12")							
P - K-Monel® tube, Monel® 400 process connection (30,000 psi Max.) (only available in 4½")							
S - 316L Stainless steel (20,000 psi Max.)			S				
Process Connection Size							
02 - ¼ NPT Male				02			
04 - ½ NPT Male							
Process Connection Location							
L - Lower							
B - Lower back					B		
Options (If choosing an option(s) must include an "X")							
C4 - Traceable calibration certificate						X	C4
LL - PLUS! ™ Performance							
TS - Throttle screw (standard with PLUS! ™ Performance)							
PD - Acrylic window							
SG - Safety glass (N/A on 12" dial)							
EP - Maximum pointer, adjustable (4½" and 6" dial only)							
SH - Red set hand, stationary							
NH - Stainless steel tag wired to case							
DA - Dial marking (text marking on dial)							
EO - Red set hand adjustable							
EQ - Minimum pointer							
PR - Receiver gauge							
BD - Black dial (4½" dial only)							
OS - Overload stop							
VS - Underload stop							
6B - Oxygen service							
Range (See range table on page 3 for all standard ranges)							
100# - 100 psi							100#

Data Sheet

1010 Pressure Gauge

SINGLE SCALE					NOTES
	psi	bar	kPa	Mpa	kg/cm ²
Vacuum	30IMV	N1BR	N100KP	NO.1MP	N1KG
	-	N1/0.6BR	N100/60KP	NO.1/0.6MP	N1/0.6KG
Compound	30IMV&15#	-	-	-	-
	-	N1/1.5BR	N100/150KP	NO.1/15MP	N1/1.5KG
	30IMV&30#	-	-	-	-
	-	N1/3BR	N100/300KP	NO.1/3MP	N1/3KG
	30IMV&60#	-	-	-	-
	-	N1/5BR	N100/&500KP	NO.1/5MP	N1/5KG
	-	-	-	-	-
	30IMV&100#	-	-	-	-
	-	N1/9BR	N100/900KP	NO.1/9MP	N1/9KG
	15#	1BR	100KP	0.1MP	1KG
-	1.6BR	160KP	0.16MP	1.6KG	
30#	-	-	-	-	
-	2.5BR	250KP	0.25MP	2.5KG	
60#	4BR	400KP	0.4MP	4KG	
-	6BR	600KP	0.6MP	6KG	
100#	-	-	-	-	
-	10BR	1000KP	1MP	10KG	
160#	-	-	-	-	
200#	-	-	-	-	
-	16BR	1600KP	1.6MP	16KG	
300#	-	-	-	-	
-	25BR	2500KP	2.5MP	25KG	
400#	-	-	-	-	
600#	40BR	4000KP	4MP	40KG	
800#	-	-	-	-	
-	60BR	6000KP	6MP	60KG	
1000#	-	-	-	-	
1500#	100BR	10000KP	10MP	100KG	
2000#	-	-	-	-	
-	160BR	16000KP	16MP	160KG	
3000#	-	-	-	-	
-	250BR	25000KP	25MP	250KG	
4000#	-	-	-	-	
5000#	-	-	-	-	
6000#	400BR	40000KP	40MP	400KG	
-	600BR	60000KP	60MP	600KG	
8000#	-	-	-	-	
10000#	-	-	-	-	
15000#	1000BR	100000KP	100MP	1000KG	
20000#	-	-	-	-	
30000#	-	-	-	-	

4½", 6" systems only

4½", 6" Monel® systems only

Data Sheet

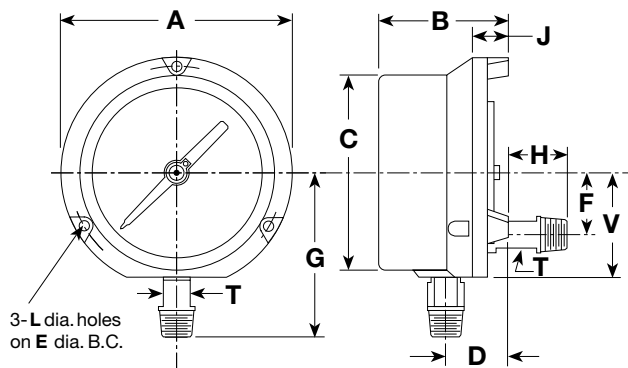
1010 Pressure Gauge

DIMENSIONS in [] are millimeters

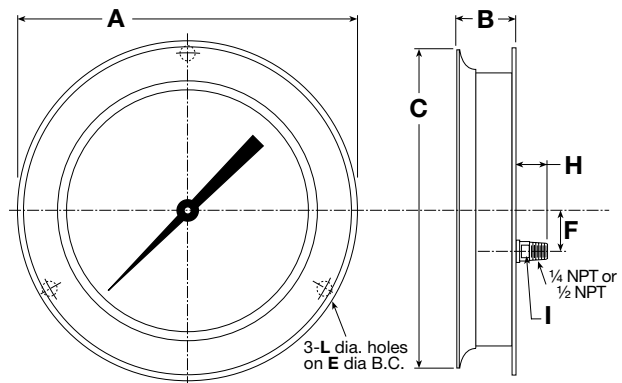
For reference only, consult Ashcroft for specific dimensional drawings

Dial Size Inches	A	B	C	D	E	F	G	H	I	J	S	V	Weight (lbs)
4½	5 ¹³ / ₁₆ [148]	3 ¹³ / ₁₆ [86]	4 ⁷ / ₈ [124]	1 ⁵ / ₈ [41]	5 ³ / ₈ [137]	1½ [42]	3 ¹⁵ / ₁₆ [100]	7/8 [20]	5/8 [16]	1 ¹ / ₁₆ [27]		2 ⁵ / ₈ [67]	2½ 1.0 kg
6	7 ⁹ / ₁₆ [192]	3½ [89]	6 ⁵ / ₈ [162]	1 ⁵ / ₈ [41]	7 [178]	1½ [42]	4½ [114]	7/8 [20]	5/8 [16]	7/16 [11]		2 ⁵ / ₈ [67]	3⅜ 1.6 kg
8½	10 ¹ / ₁₆ [256]	2 ⁷ / ₈ [73]	4¾ [121]	1 ¹¹ / ₁₆ [39]	9 ⁵ / ₈ [244]	1 ⁵ / ₈ [41]	6 [152]	1 ³ / ₈ [35]	5/8 [16]		1 ¹ / ₁₆ [17]		4½ 2.0 kg
12	14½ [368]	2 ¹⁵ / ₁₆ [75]	14¼ [361]	1 ¹ / ₃₂ [26]	13½ [343]	2 ¹ / ₈ [54]	7½ [191]	1 ¹³ / ₃₂ [36]	5/8 [16]				8 3.6 kg

4½" & 6" 1010



12" 1010



8½" 1010

